



Features

- 3rd Gen. Intel® Core™ processor-based platform
- Supports Intel® Core™ i7/i5/i3/Pentium® processor with Q77 chipset
- 4 DIMM sockets support up to 32 GB DDR3 1066/1333/1600
- Supports dual display VGA/DVI-D and dual GbE LAN
- Supports SATA RAID 0/1/5/10/AMT 8.0/USB 3.0
- Supports Advantech LPC modules of TPM

Specifications

Processor System

CPU	Intel® Core™ 3th Gen. i7/i5/i3/Pentium® processor
Model	-
Core Number	-
Max Speed	by CPU
L3 Cache	by CPU
BIOS	AMI 64 Mbit SPI
Chipset	Intel® Q77

Expansion Slot

PCI	32bit/33 Mhz, 4 slots
PCIe x1 (Gen2)	500MB/s per direction, 1 slot
PCIe x4 (Gen2)	2.0 GB/s per direction, 1 slot
PCIe x16 (Gen3)	16 GB/s per direction, 1 slot

Memory

Technology	Dual channel DDR3 1066/1333/1600 MHz
Max.	32 GB
Socket	4x 240pin DIMM

Graphics

Controller	Intel® HD Graphics 2000/2500/3000/4000 (depends on pr.)
VRAM	1GB maximum shared memory with 2GB and above system memory installed

SATA

Max Data Transfer Rate Channel	600 MB/s 2
Max Data Transfer Rate Channel	300 MB/s 4

Ethernet

Interface Controller	10/100/1000 Mbps GbE LAN1: Intel® 82579LM GbE LAN2: Intel® 82583V
Connector	2x RJ 45

I/O

VGA	1
DVI	1
Ethernet	2
USB	4 (2x USB 3.0, 2x USB 2.0) 10 (internal 2 USB 3.0, internal 8 USB 2.0)
Audio	2 (Mic-in, Line-out)
Serial	5 (4x RS 232, 1x RS 232/422/485)
SATA	6 (x4 SATAII x2 SATAIII)
PS/2	2 (1x keyboard, 1x mouse)

Power

Power Input	110~240V AC
Power consumption	50 W

Mechanical

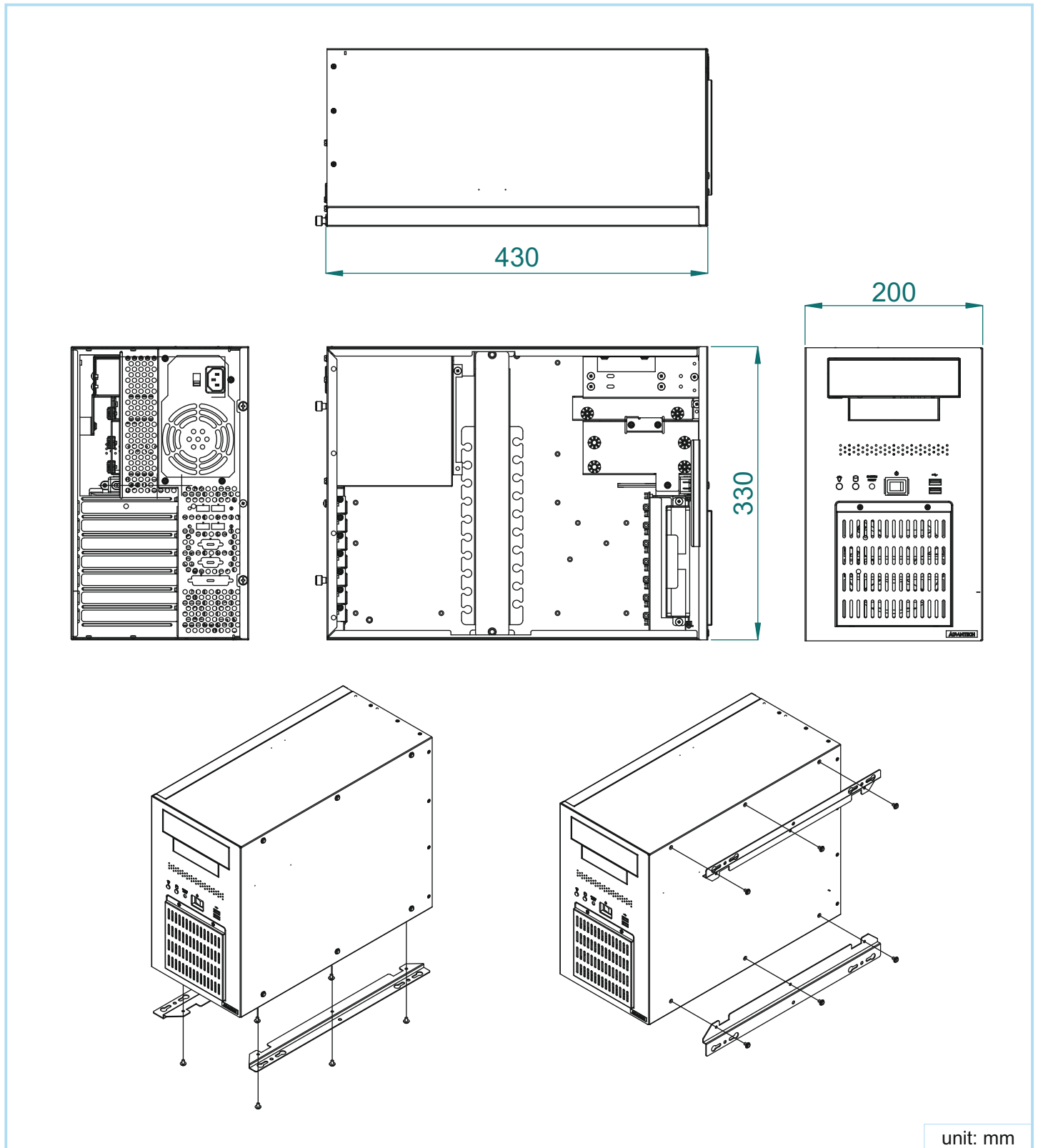
Construction	Heavy duty steel (case)
IP rating	20
Mounting	desktop/wall mounting
Dimension	330 x 200 x 430 mm
Net Weight	12 Kg

Environment

Operating Temperature	0~60°C
Storage Humidity	5~95 non-condensing
Certification	CE

Operating System Support

Win. 7	Windows® 7 (32/64bit)
Win. XP PRO	Windows® XP Professional (32/64bit)



unit: mm